

Sedona

Model # 2830

Sedona 18in Round Planter



DESCRIPTION

The Sedona Round Planter is a bold industrial inspired design. Built to be both functional and beautiful, this planter includes a water reservoir, leaving you more time to enjoy your plants.

- Removable fill port plug for direct access to water reservoir
- Hidden overflow drainage (optional plug for indoor use)
- Weather resistant, low maintenance material
- 100% high-grade polyethylene planter with UV inhibitors
- Warranty: 15-Yr Residential Use / 5-Yr Commercial Use

PRODUCT DIMENSIONS

Outside Dimensions: 18in DIA x 18in H (45.7cm x 45.7cm)

Inside Dimensions: 14.6in DIA x 10.3in D (37.1cm x 26.0cm)

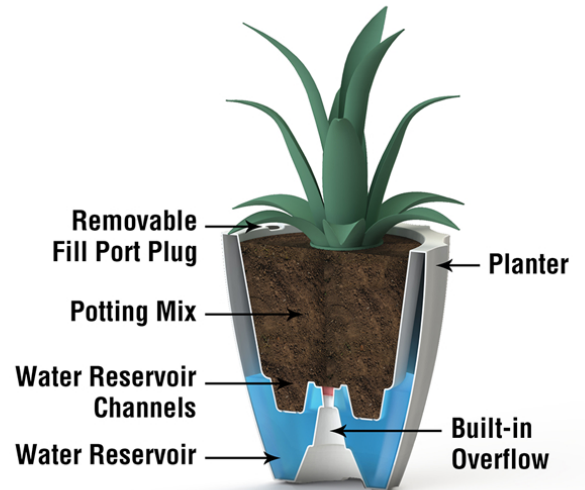
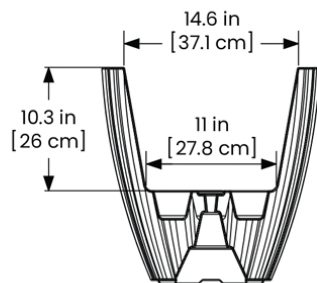
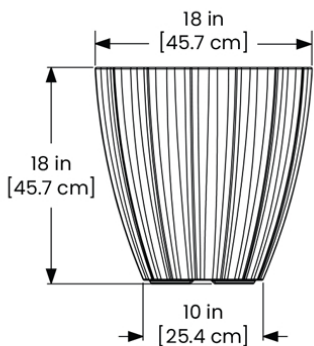
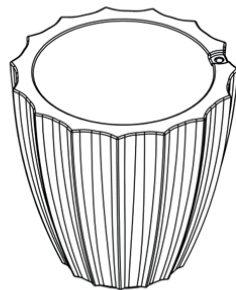
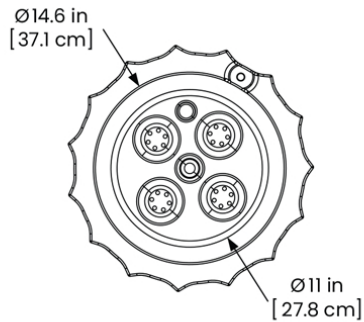
Soil Capacity: 5.6 Gallons (21 Liters)

Water Reservoir Capacity: 3.3 Gallons (12.5 Liters)

Wall Thickness: 0.11in (2.8mm)

Part Weight: 6.2lbs (2.8kg)

Material: Polyethylene



MAYNE[®]
Outdoor Products of Distinction

7024 Kilbourne Rd - Unit A
London, ON N6P 1K6
866-363-8834 | gomayne.com
customerservice@gomayne.com