

# Yorkshire

Model # 4823

## Yorkshire 3ft Window Box



### DESCRIPTION

The Yorkshire window box helps you bring home the charm of the East Coast while offering a low maintenance solution. Compliment the appearance of your home with a product that cleans up with the simple rinse of a garden hose.

- Features a double wall design creating a water reservoir
- 100% high-grade vinyl with built in UV inhibitors
- Ready-to-assemble kit requires minor assembly
- Weather resistant, low maintenance vinyl
- Includes 2 wall mount brackets with a black powder coated finish
- Warranty: 15-Yr Residential Use / 5-Yr Commercial Use

### PRODUCT DIMENSIONS

Outside Dimensions: 36in L x 12.1in W x 10.2in H (91.4cm x 30.7cm x 25.9cm)

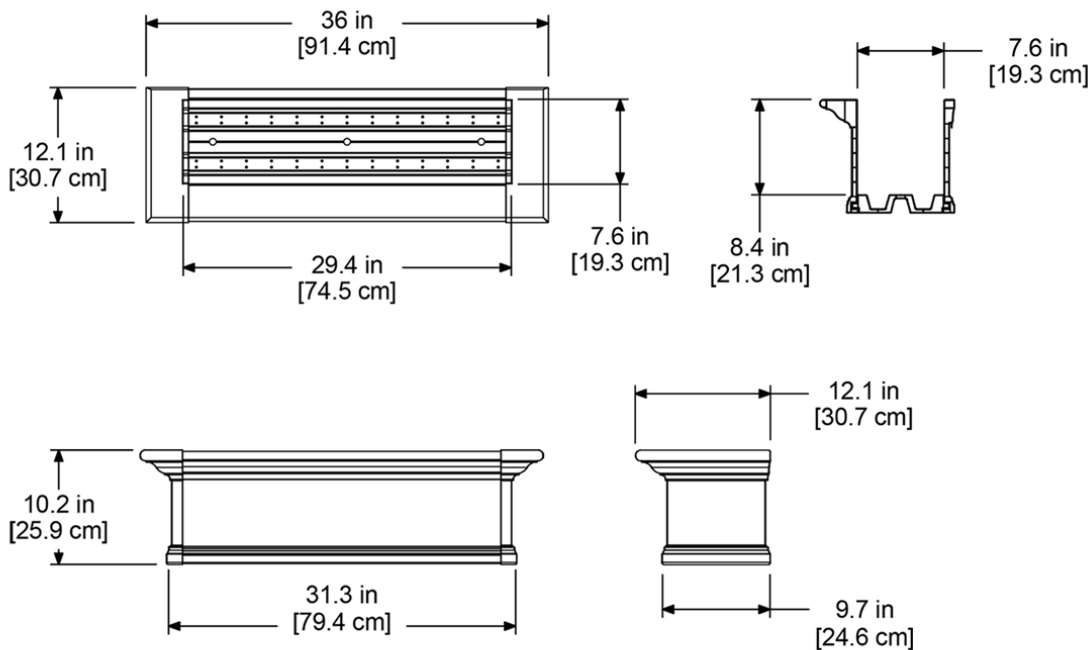
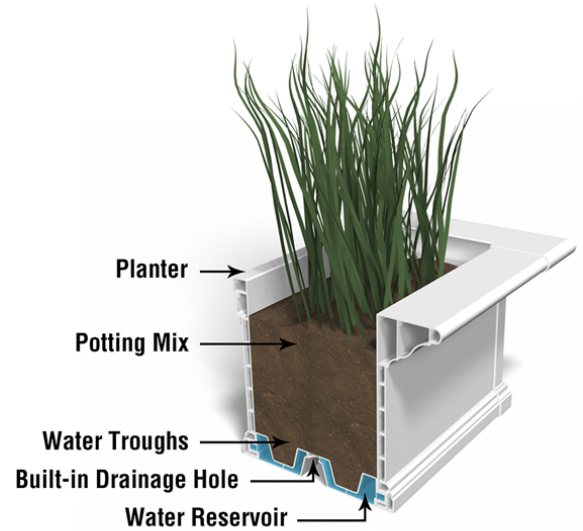
Inside Dimensions: 29.4in L x 7.6in W x 8.4in D (74.5cm x 19.3cm x 21.3cm)

Soil Capacity: 8.5 Gallons (32.2 Liters)

Water Reservoir Capacity: 0.75 Gallons (1.8 Liters)

Part Weight: 15lbs (6.8kg)

Material: PVC



**MAYNE**<sup>®</sup>  
Outdoor Products of Distinction

7024 Kilbourne Rd - Unit A London, ON N6P 1K6

Tel: 866-363-8834 | [www.gomayne.com](http://www.gomayne.com)

[customerservice@gomayne.com](mailto:customerservice@gomayne.com)