

Yorkshire

Model # 4825

Yorkshire 5ft Window Box



DESCRIPTION

The Yorkshire window box helps you bring home the charm of the East Coast while offering a low maintenance solution. Compliment the appearance of your home with a product that cleans up with the simple rinse of a garden hose.

- Features a double wall design creating a water reservoir
- 100% high-grade vinyl with built in UV inhibitors
- Ready-to-assemble kit requires minor assembly
- Weather resistant, low maintenance vinyl
- Includes 4 wall mount brackets with a black powder coated finish
- Warranty: 15-Yr Residential Use / 5-Yr Commercial Use

PRODUCT DIMENSIONS

Outside Dimensions: 60in L x 12.1in W x 10.2in H (152.4cm x 30.7cm x 25.9cm)

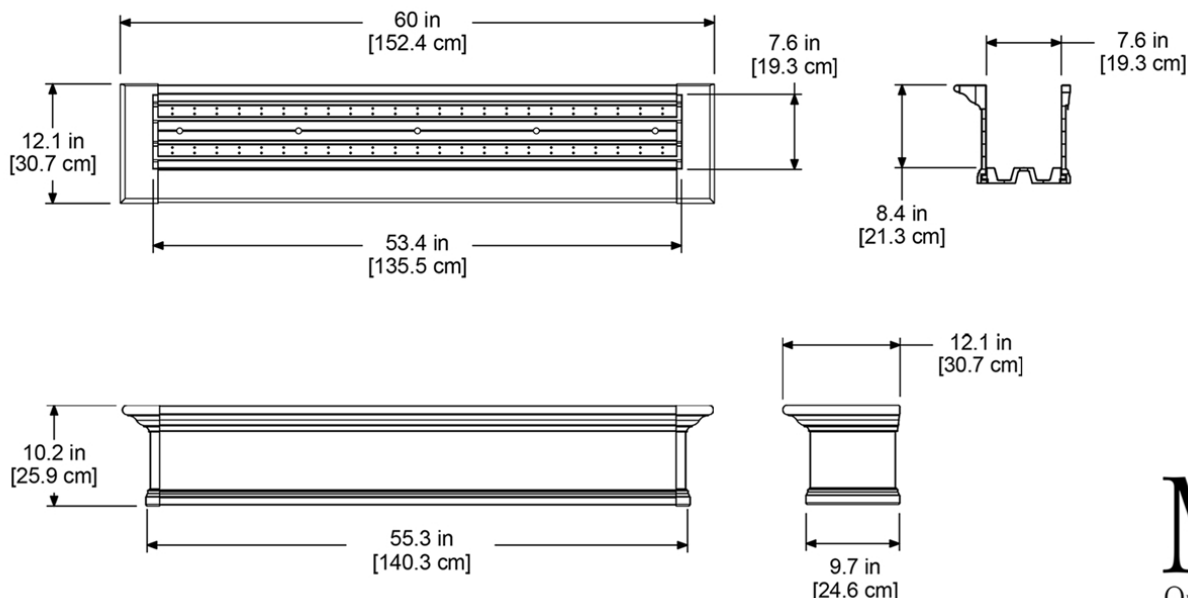
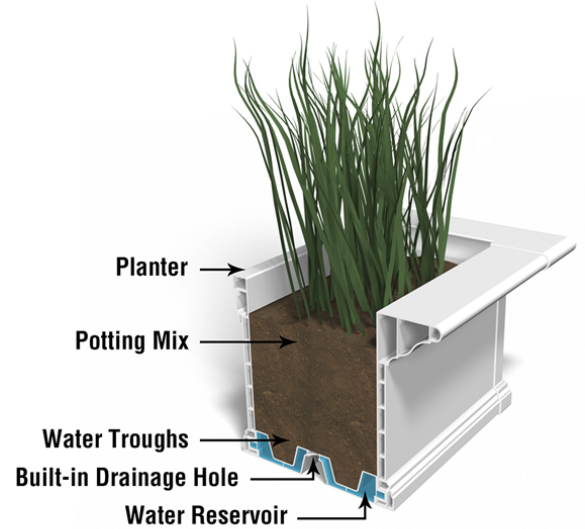
Inside Dimensions: 53.4in L x 7.6in W x 8.4in D (135.5cm x 19.3cm x 21.3cm)

Soil Capacity: 15 Gallons (56.7 Liters)

Water Reservoir Capacity: 1.25 Gallons (4.7 Liters)

Part Weight: 26lbs (11.8kg)

Material: PVC



MAYNE[®]
Outdoor Products of Distinction

7024 Kilbourne Rd - Unit A London, ON N6P 1K6

Tel: 866-363-8834 | www.gomayne.com

customerservice@gomayne.com