

Nantucket

Model # 4831

Nantucket 4ft Window Box



DESCRIPTION

The Mayne Nantucket Window Box Collection features a bowed front, raised panel design, pronounced crown molding detail and built-in overflow drains.

- Made from 100% high-grade polyethylene
- Features a double wall design creating a water reservoir
- Includes 3 wall mount brackets with a black powder coated finish
- Warranty: 15-Yr Residential Use / 5-Yr Commercial Use

PRODUCT DIMENSIONS

Outside Dimensions: 48in L x 11.7in W x 10.2in H (121.9cm x 29.6cm x 25.8cm)

Inside Dimensions: 44in L x 8.2in W x 7.6in D (111.7cm x 20.9cm x 19.4cm)

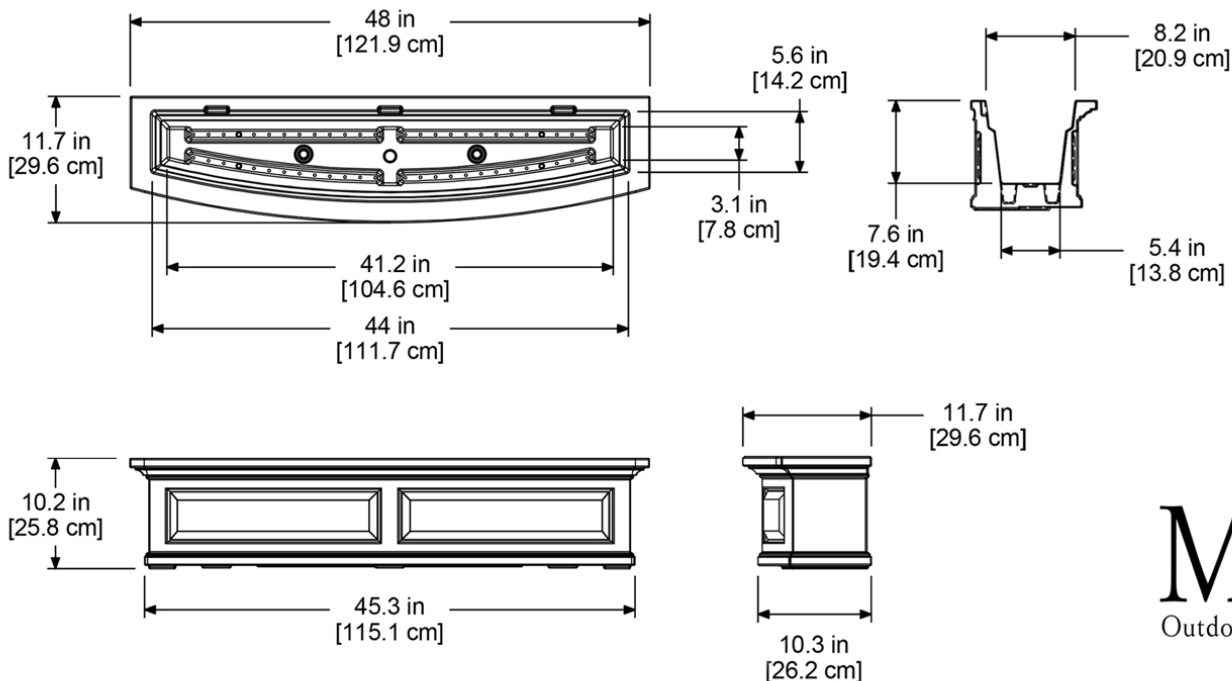
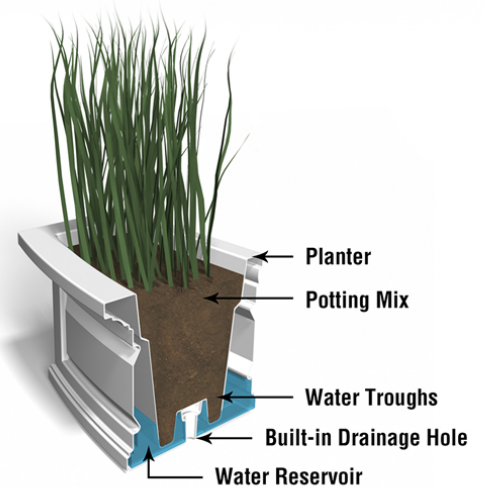
Soil Capacity: 5 Gallons (19 Liters)

Water Reservoir Capacity: 3.4 Gallons (12.8 Liters)

Wall Thickness: 0.125in (3.17mm)

Part Weight: 17lbs (7.7kg)

Material: Polyethylene



MAYNE[®]
Outdoor Products of Distinction

7024 Kilbourne Rd - Unit A London, ON N6P 1K6

Tel: 866-363-8834 | www.gomayne.com

customerservice@gomayne.com