

Newport +

Model # 5813

Newport Plus Mail Post



DESCRIPTION

Handsomely detailed...Our Newport Mail Post offers you more than just a functional place to pick up your mail. The exquisite detailing creates a dramatic difference to any home.

- Weather resistant, low maintenance material
- Installs easily over a standard 4x4 wood post
- Recommended for mailboxes up to 8lbs
- 100% high-grade polyethylene with built in UV inhibitors
- Warranty: 15-Yr Residential Use / 5-Yr Commercial Use

PRODUCT DIMENSIONS

Outside Dimensions: 24.7in L x 8in W x 56.5in H (20.3cm x 62.7cm x 143.5cm)

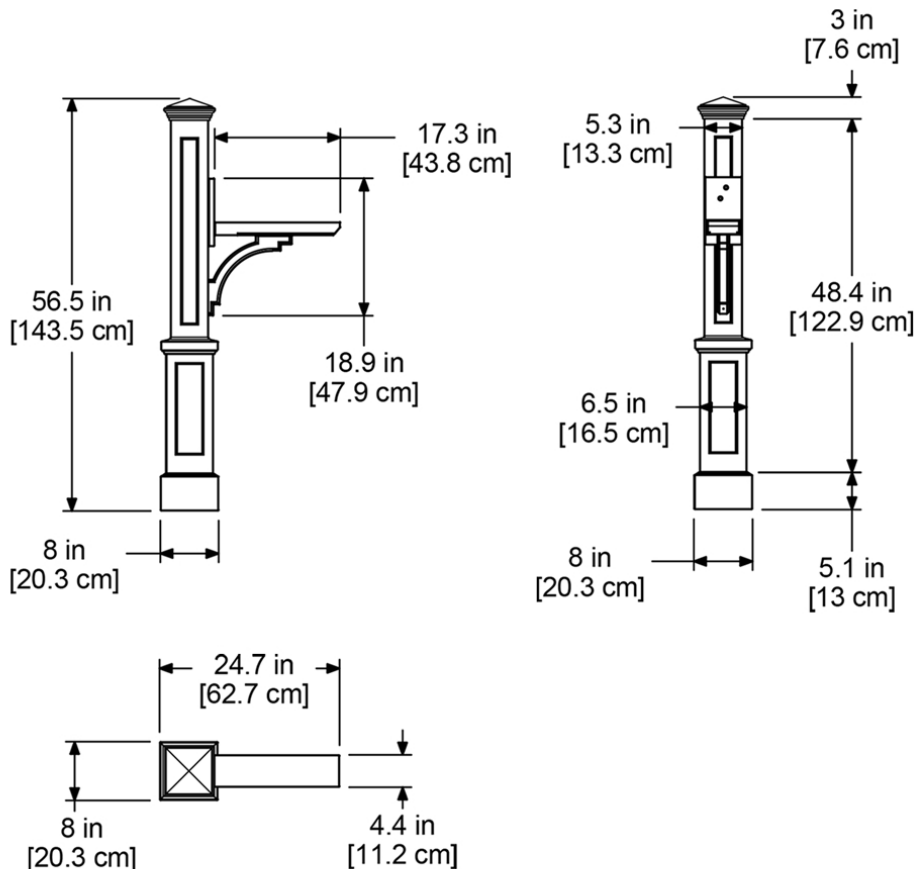
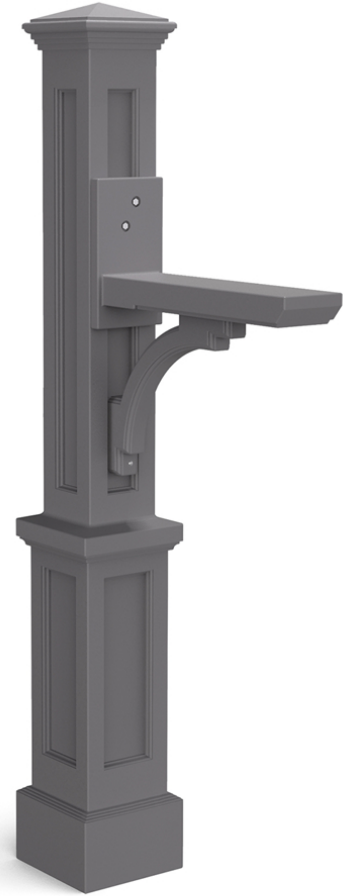
Wall Thickness: 0.125in (3.17mm)

Part Weight: 10lbs (4.5kg)

Material: Polyethylene

Contents: Post, Support Arm, and Hardware

Note: 4x4 wood post, mailbox, and mailbox mounting hardware NOT included



MAYNE[®]
Outdoor Products of Distinction

7024 Kilbourne Rd - Unit A London, ON N6P 1K6

Tel: 866-363-8834 | www.gomayne.com

customerservice@gomayne.com