

# Charleston +

Model # 5846

## Charleston Plus Mail Post



### DESCRIPTION

The Charleston Plus shares the stately look of our Liberty mail post, but in a slightly smaller scale. This post has quickly become a favorite.

- Weather resistant, low maintenance material
- Installs easily over a standard 4x4 wood post
- Recommended for mailboxes up to 12lbs
- 100% high-grade polyethylene with built in UV inhibitors
- Warranty: 15-Yr Residential Use / 5-Yr Commercial Use

### PRODUCT DIMENSIONS

**Outside Dimensions:** 26.3in L x 8.8in W x 58in H (66.7cm x 22.2cm x 147.3cm)

**Paper Holder Inset Dimensions:** 10.5in W x 3.5in H (26.6cm x 8.8cm)

**Paper Holder Inside Dimensions:** 12in L x 5.5in W x 4.5in H (30.5cm x 14cm x 11.4cm)

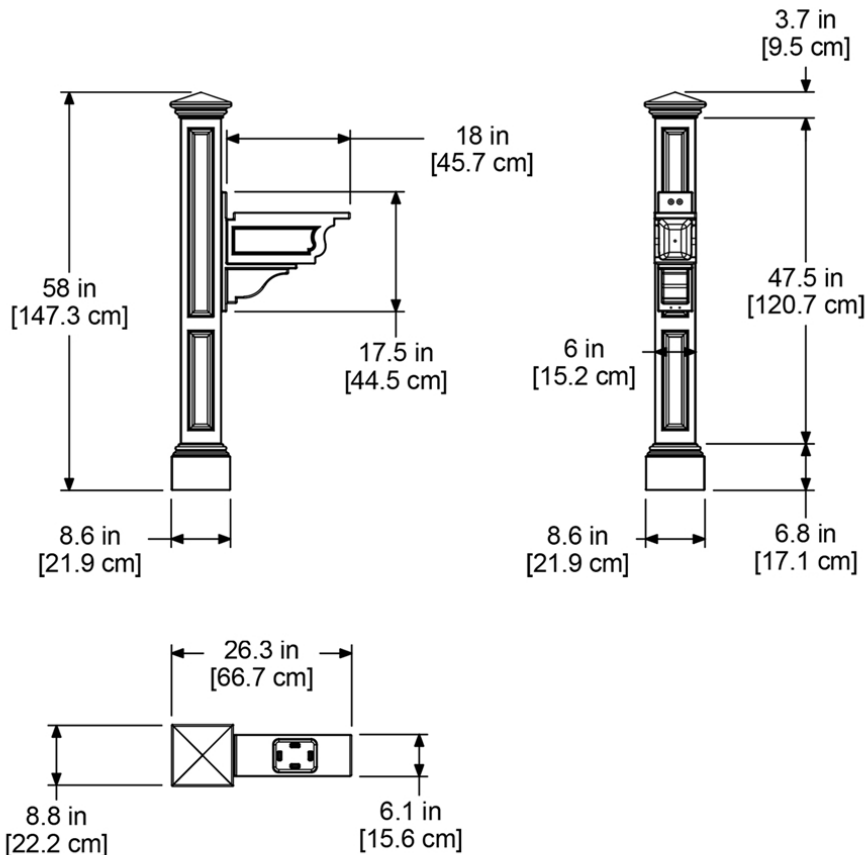
**Wall Thickness:** 0.125in (3.17mm)

**Part Weight:** 13lbs (5.9kg)

**Material:** Polyethylene

**Contents:** Post, Paper Holder Arm, and Hardware

*Note: 4x4 wood post, mailbox, and mailbox mounting hardware NOT included*



**MAYNE**<sup>®</sup>  
Outdoor Products of Distinction

7024 Kilbourne Rd - Unit A London, ON N6P 1K6  
Tel: 866-363-8834 | [www.gomayne.com](http://www.gomayne.com)  
[customerservice@gomayne.com](mailto:customerservice@gomayne.com)