

Nantucket

Model # 5865

Nantucket 16in Patio Planter



DESCRIPTION

Have the look of wood without the upkeep with our high-grade polyethylene planters. Long-lasting beauty, durability and quality. Built-in water reservoir encourages healthy plant growth by allowing plants to practically water themselves.

- 100% polyethylene planter with UV inhibitors
- Weather resistant, low maintenance material
- Double wall design featuring a sub-irrigation water system
- Warranty: 15-Yr Residential Use / 5-Yr Commercial Use

PRODUCT DIMENSIONS

Outside Dimensions: 16in L x 16in W x 16in H (40.6cm x 40.6cm x 40.6cm)

Inside Dimensions: 12in L x 12in W x 11in D (30.4cm x 30.4cm x 27.9cm)

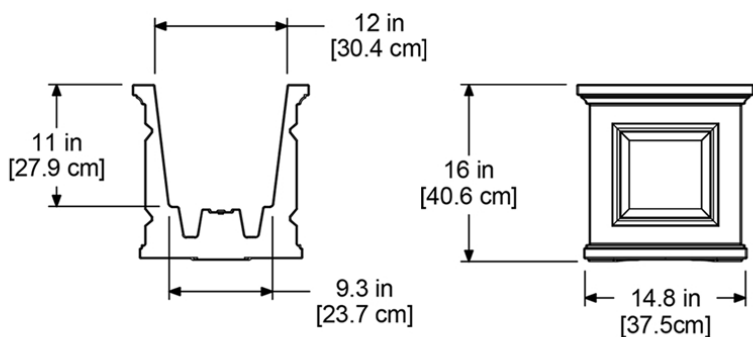
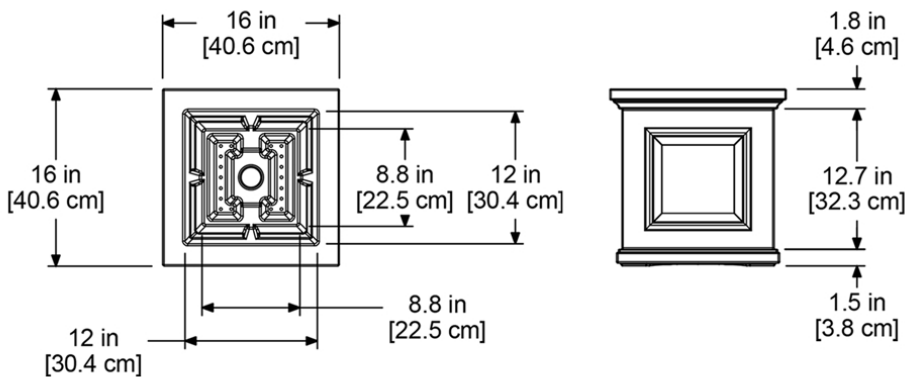
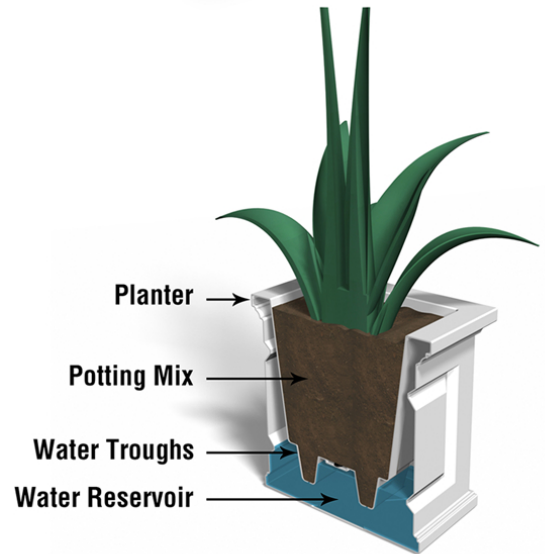
Soil Capacity: 5 Gallons (19 Liters)

Water Reservoir Capacity: 3 Gallons (11.4 Liters)

Wall Thickness: 0.11in (2.8mm)

Part Weight: 7.8lbs (3.5kg)

Material: Polyethylene



MAYNE[®]
Outdoor Products of Distinction

7024 Kilbourne Rd - Unit A London, ON N6P 1K6

Tel: 866-363-8834 | www.gomayne.com

customerservice@gomayne.com