

Valencia

Model # 5871

Valencia 3ft Window Box



DESCRIPTION

The Valencia Window Box Collection offers a beautiful tulip shape. This durable construction offers a low maintenance solution and cleans with just a simple rinse of a garden hose.

- Features a double wall design creating a water reservoir
- 100% high-grade polyethylene with built in UV inhibitors
- Weather resistant, low maintenance material
- Includes 3 wall mount brackets with a black powder coated finish
- Warranty: 15-Yr Residential Use / 5-Yr Commercial Use

PRODUCT DIMENSIONS

Outside Dimensions: 36in L x 9.8in W x 10.1in H (91.4cm x 24.8cm x 25.7cm)

Inside Dimensions: 33.2in L x 7.1in W x 7.5in D (84.3cm x 17.9cm x 19.1cm)

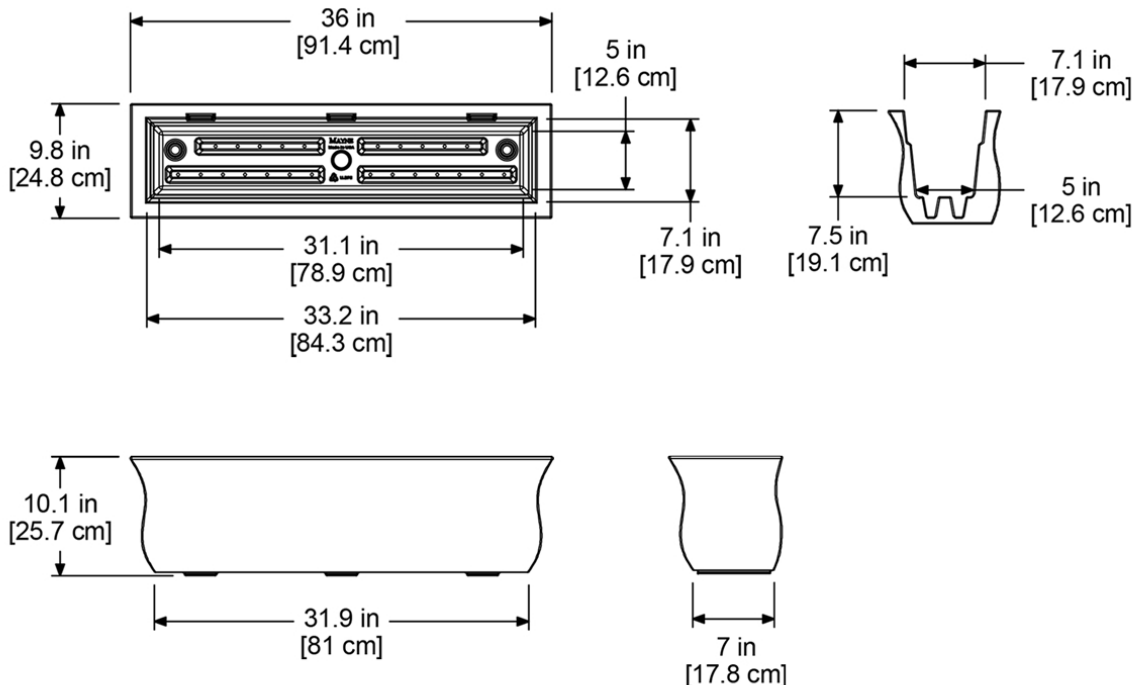
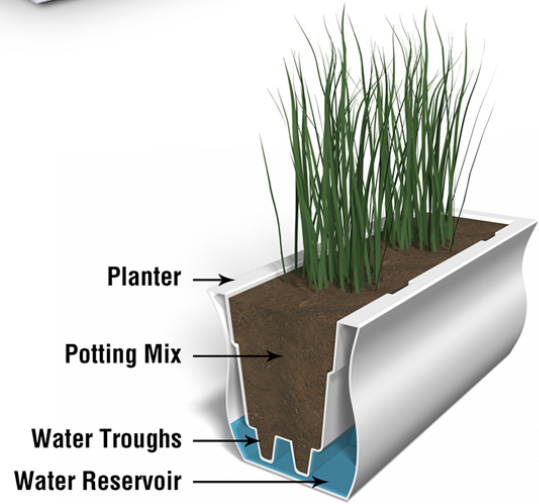
Soil Capacity: 6 Gallons (22.7 Liters)

Water Reservoir Capacity: 2.5 Gallons (9.4 Liters)

Wall Thickness: 0.12in (3mm)

Part Weight: 13lbs (5.9kg)

Material: Polyethylene



MAYNE[®]
Outdoor Products of Distinction

7024 Kilbourne Rd - Unit A London, ON N6P 1K6

Tel: 866-363-8834 | www.gomayne.com

customerservice@gomayne.com