

# Fairfield

Model # 5887

## Fairfield 16in Patio Planter



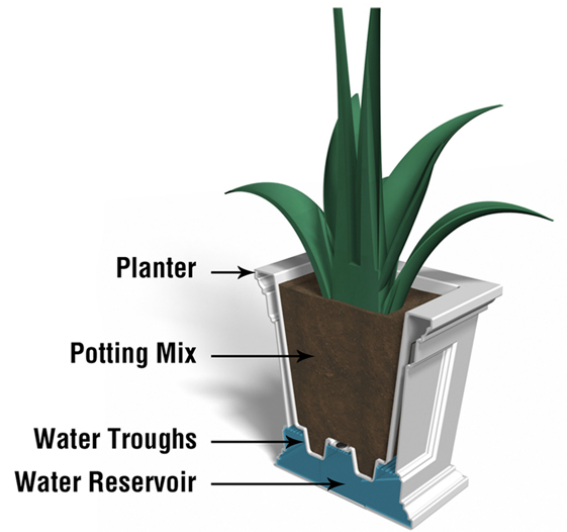
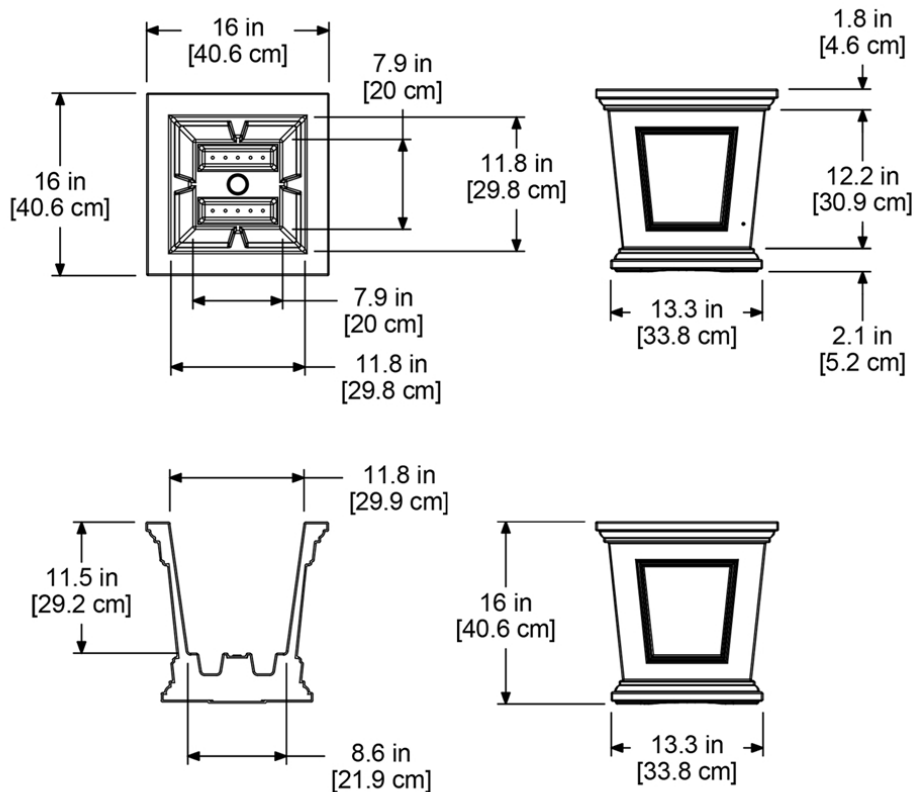
### DESCRIPTION

Have the look of wood without the upkeep with our high-grade polyethylene planters. Long-lasting beauty, durability and quality. Built-in water reservoir encourages healthy plant growth by allowing plants to practically water themselves.

- Adds a charming touch to any patio or deck
- Molded polyethylene planter with UV inhibitors
- Weather resistant, low maintenance material
- Features a double wall design creating a water reservoir
- Warranty: 15-Yr Residential Use / 5-Yr Commercial Use

### PRODUCT DIMENSIONS

**Outside Dimensions:** 16in L x 16in W x 16in H (40.6cm x 40.6cm x 40.6cm)  
**Inside Dimensions:** 11.8in L x 11.8in W x 11.5in D (29.8cm x 29.8cm x 29.2cm)  
**Soil Capacity:** 4.5 Gallons (17 Liters)  
**Water Reservoir Capacity:** 2.25 Gallons (8.6 Liters)  
**Wall Thickness:** 0.12in (3mm)  
**Part Weight:** 7lbs (3.2kg)  
**Material:** Polyethylene



**MAYNE**<sup>®</sup>  
 Outdoor Products of Distinction

7024 Kilbourne Rd - Unit A London, ON N6P 1K6  
 Tel: 866-363-8834 | [www.gomayne.com](http://www.gomayne.com)  
[customerservice@gomayne.com](mailto:customerservice@gomayne.com)