

Aberdeen

Model # 5898

Aberdeen 25in Tall Planter



DESCRIPTION

Tall and distinctive, the Aberdeen is the perfect addition to any front entrance. Featuring traditional inset panels with a modern tapered design. The Aberdeen planter is ideal as a patio accent for your outdoor living space or to flank the entrance to any home or business.

- Single wall molded design with removable tray
- Self watering tray insert creates sub-irrigation water system
- Weather resistant, low maintenance material
- 100% high-grade polyethylene planter with UV inhibitors
- Warranty: 15-Yr Residential Use / 5-Yr Commercial Use

PRODUCT DIMENSIONS

Outside Dimensions: 15.2in L x 15.2in W x 25in H (38.7cm x 38.7cm x 63.5cm)

Inside Dimensions: 12.2in L x 12.2in W x 11.5in D (31.1cm x 31.1cm x 29.2cm)

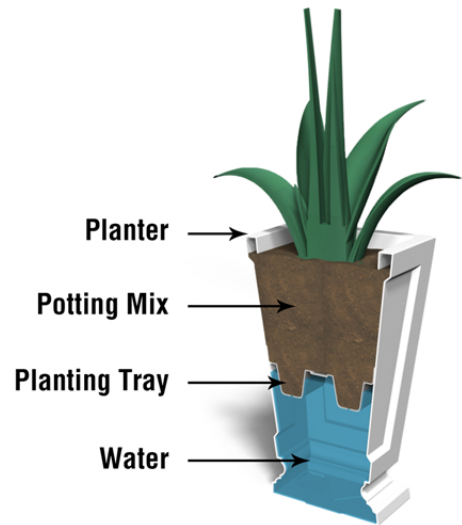
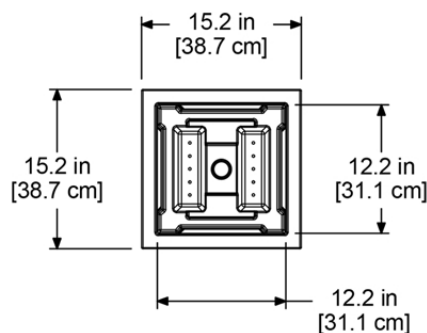
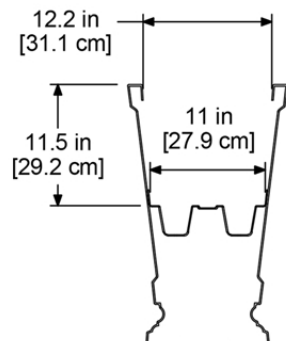
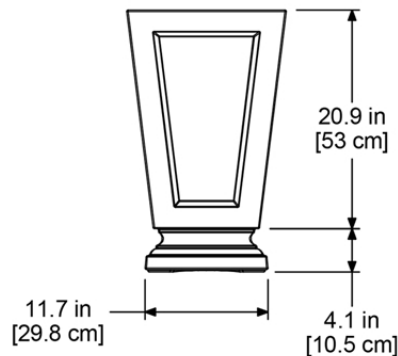
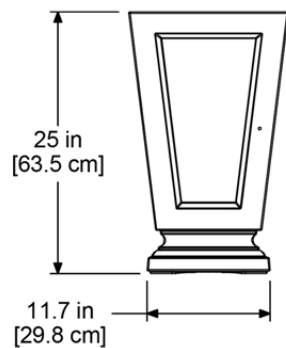
Soil Capacity: 7.5 Gallons (28 Liters)

Water Reservoir Capacity: 5.8 Gallons (22 Liters)

Wall Thickness: 0.12in (3mm)

Part Weight: 9.6lbs (4.3kg)

Material: Polyethylene



MAYNE[®]
Outdoor Products of Distinction

7024 Kilbourne Rd - Unit A London, ON N6P 1K6

Tel: 866-363-8834 | www.gomayne.com

customerservice@gomayne.com