

Wyndham

Model # 5929

Wyndham 24in Tall Planter



DESCRIPTION

Style and functionality come together perfectly with the Wyndham planter, creating an elegant finishing touch to any patio or entrance.

- Single wall molded design with removable tray
- Self watering tray insert creates sub-irrigation water system
- Weather resistant, low maintenance material
- 100% high-grade polyethylene planter with UV inhibitors
- Warranty: 15-Yr Residential Use / 5-Yr Commercial Use

PRODUCT DIMENSIONS

Outside Dimensions: 15.5in L x 15.5in W x 24in H (39.4cm x 39.4cm x 61cm)

Inside Dimensions: 10.7in L x 10.7in W x 11.9in D (27.3cm x 27.3cm x 30.3cm)

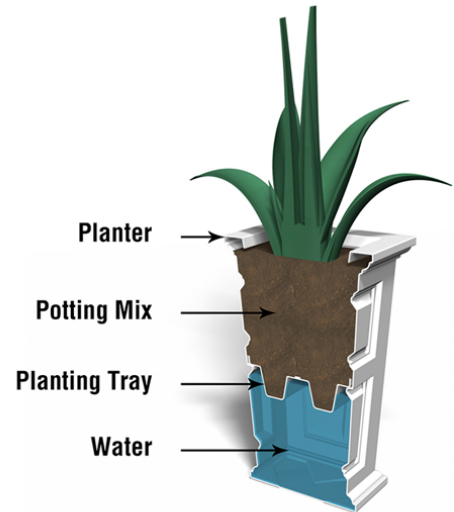
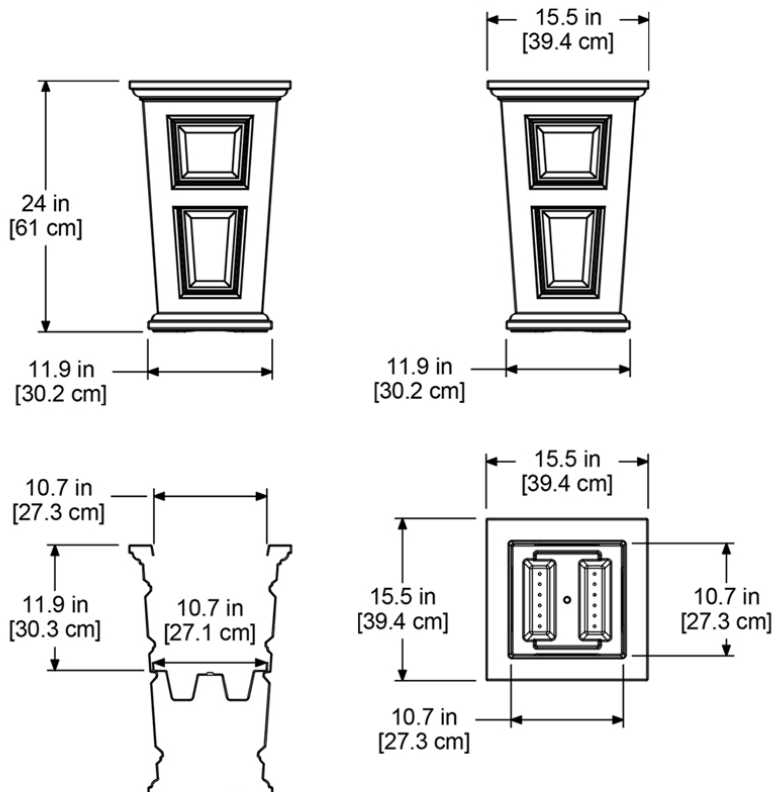
Soil Capacity: 6 Gallons (22.7 Liters)

Water Reservoir Capacity: 5 Gallons (18.9 Liters)

Wall Thickness: 0.12in (3mm)

Part Weight: 7.9lbs (3.6kg)

Material: Polyethylene



MAYNE[®]
Outdoor Products of Distinction

7024 Kilbourne Rd - Unit A London, ON N6P 1K6

Tel: 866-363-8834 | www.gomayne.com

customerservice@gomayne.com