

Fairfield

Model # 8800

Fairfield 28in Patio Planter



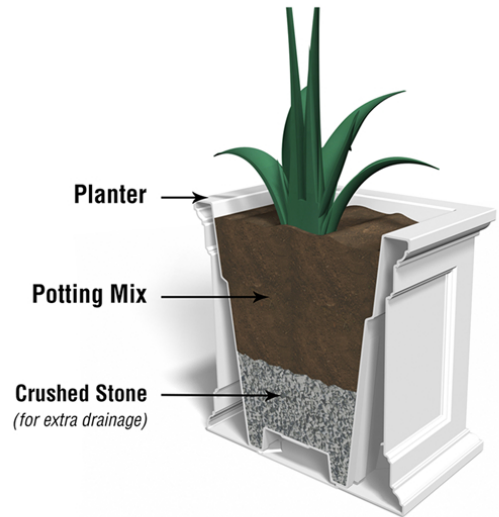
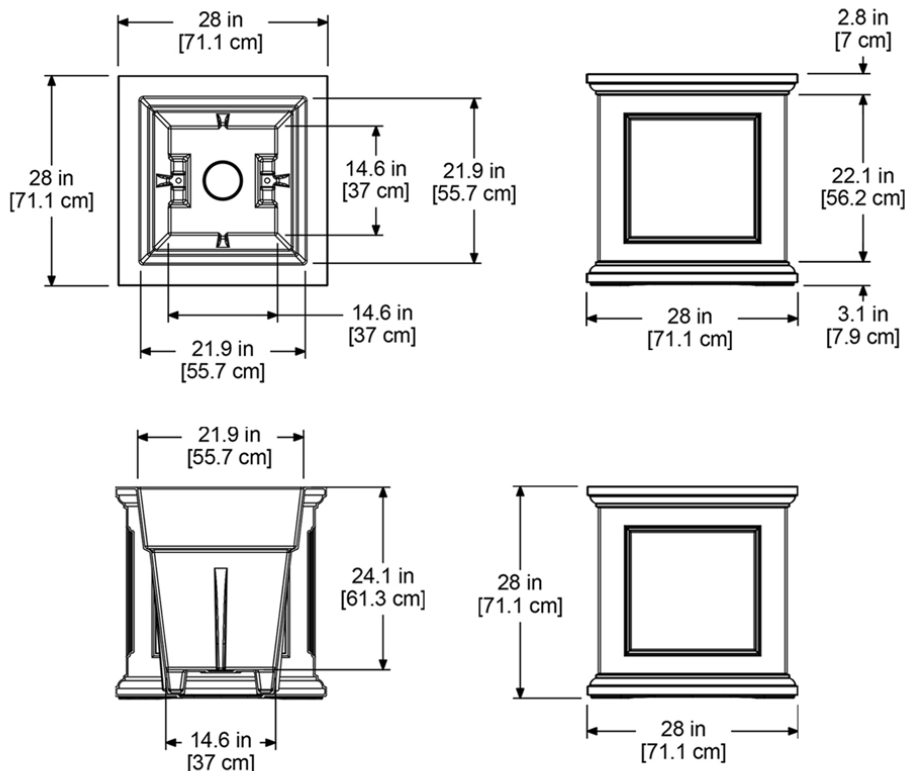
DESCRIPTION

The Mayne Fairfield Square Patio Planter features a traditional framed panel design. Have the look of wood without the upkeep with our high-grade polyethylene planters. Long-lasting beauty, durability and quality. This planter is a perfect architectural accent to any indoor or outdoor space. Make a statement!

- Textured finish for increased durability
- Constructed from 100% polyethylene with UV inhibitors
- Weather resistant, low maintenance material
- Double wall design for increased rigidity
- Warranty: 15-Yr Residential Use / 5-Yr Commercial Use

PRODUCT DIMENSIONS

Outside Dimensions: 28in L x 28in W x 28in H (71.1cm x 71.1cm x 71.1cm)
Inside Dimensions: 21.9in L x 21.9in W x 24.1in D (55.7cm x 55.7cm x 61.3cm)
Soil Capacity: 32 Gallons (120 Liters)
Wall Thickness: 0.22in (0.6mm)
Part Weight: 45lbs (20.4kg)
Material: Polyethylene



MAYNE[®]
CONTRACT

7024 Kilbourne Rd - Unit A London, ON N6P 1K6
Tel: 866-363-8834 | www.maynecontract.com
customerservice@gomayne.com