

Fairfield

Model # 8806

Fairfield 34in Tall Planter



DESCRIPTION

The Fairfield 34in Tall Planter is sure to brighten any indoor or outdoor space. Achieve the look of wood without any of the upkeep. This classic design is constructed with high-grade polyethylene making it durable, long-lasting, and superior quality.

- Single wall molded design with removable tray
- Self-watering tray insert creates sub-irrigation water system
- Weather resistant, low maintenance material
- 100% high-grade polyethylene planter with UV inhibitors
- Warranty: 15-Yr Residential Use / 5-Yr Commercial Use

PRODUCT DIMENSIONS

Outside Dimensions: 18.6in L x 18.6in W x 34in H (47.3cm x 47.3cm x 86.3cm)

Inside Dimensions: 12.7in L x 12.7in W x 16.3in D (32.3cm x 32.3cm x 41.4cm)

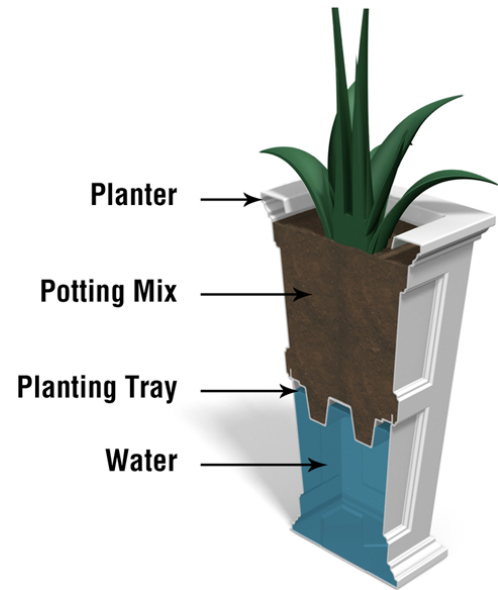
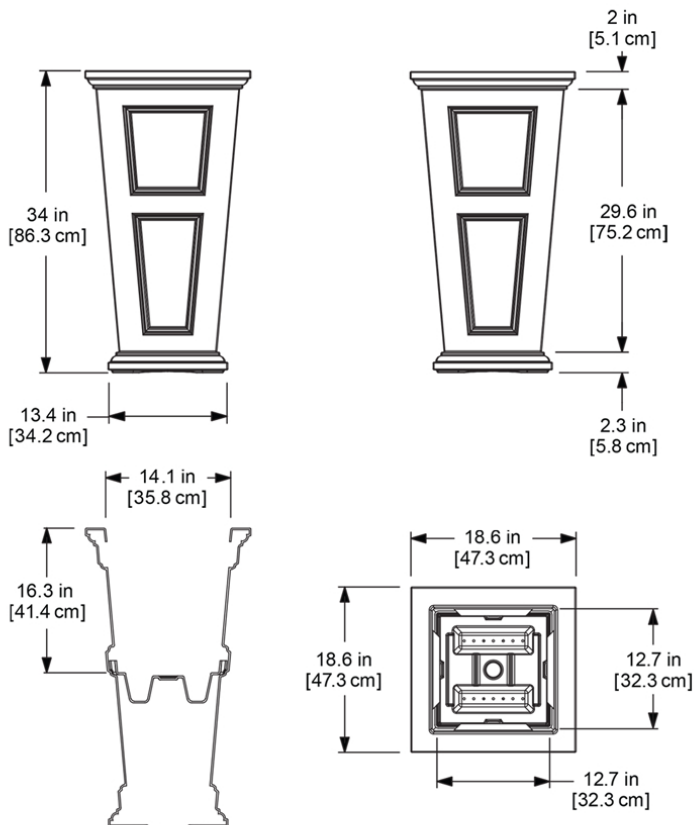
Soil Capacity: 13.2 Gallons (50 Liters)

Water Reservoir Capacity: 8.7 Gallons (33 Liters)

Wall Thickness: 0.19in (4.8mm)

Part Weight: 18lbs (8.2kg)

Material: Polyethylene



MAYNE[®]
Outdoor Products of Distinction

7024 Kilbourne Rd - Unit A London, ON N6P 1K6

Tel: 866-363-8834 | www.gomayne.com

customerservice@gomayne.com