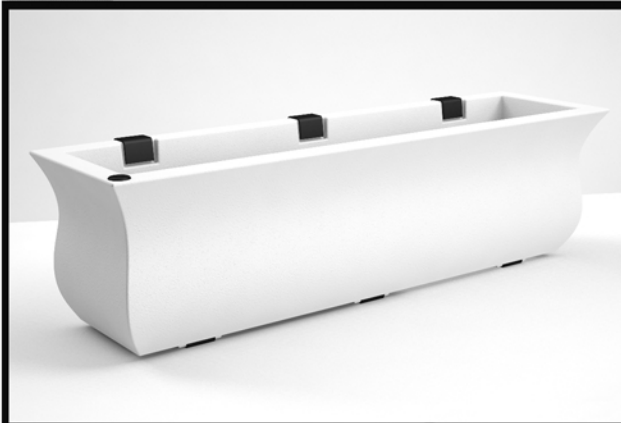


# Valencia Window Box Instructions Model #'s 5871, 5872 # MIS082



**PACKAGE CONTENTS:** Valencia Window Box, Steel Wall Mount Brackets (3 for a 3FT, and 3 for a 4FT), and 2 Inch screws (2 screws per wall mount bracket)

**DIMENSIONS:** 9.75in D x 10.125in H x (36in or 48in lengths)

**IMPORTANT NOTE:**

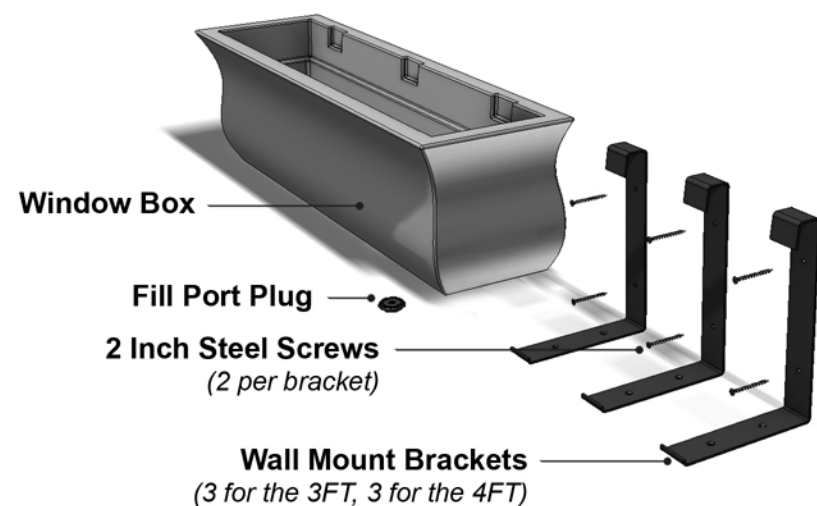
- Do not overload the patio planters. Lightweight potting mixes are recommended.



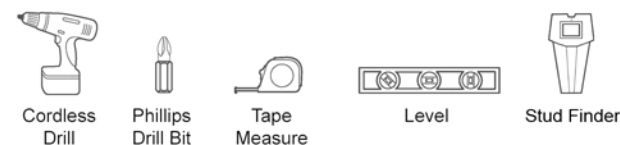
**Valencia 3FT (#5871)**  
36in L x 9.75in D x 10.125in H  
(6 Gal. Soil Capacity)



**Valencia 4FT (#5872)**  
48in L x 9.75in D x 10.125in H  
(8.4 Gal. Soil Capacity)



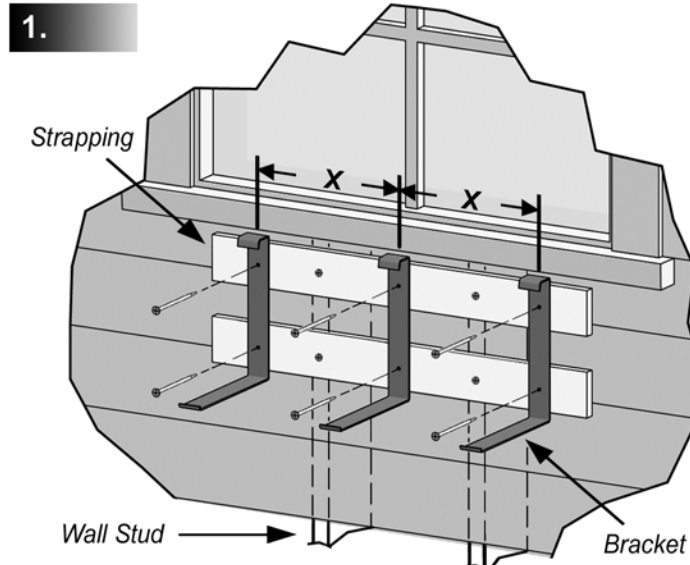
**Tools Required:**



**General Information:**

- Read instructions carefully before beginning assembly.
- Identify each component from material list.
- Rinse clean with a garden hose. For a deeper clean use a pressure washer.
- The molded polyethylene construction is designed to withstand cold temperatures but you may wish to winter store the planter in a shed or garage to offer the best protection from extreme cold.
- Wall mount brackets include screws for general mounting applications; however when installing on brick and concrete, masonry screws or anchors are required (not included).

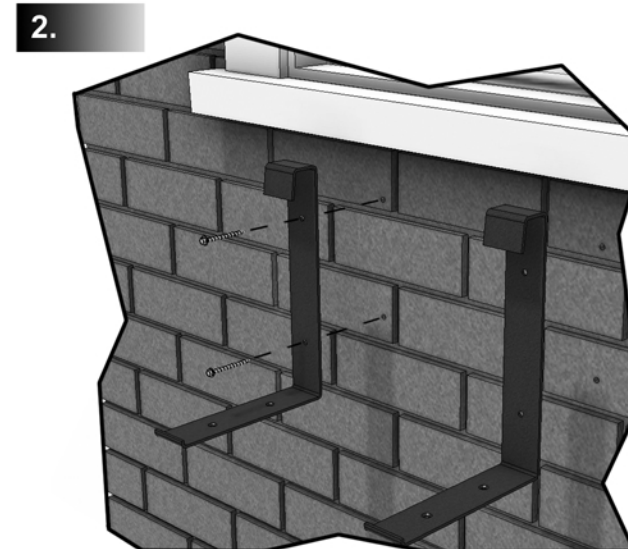
Missing or defective parts? Call our customer service department toll free at 866-363-8834 or email [customerservice@gomayne.com](mailto:customerservice@gomayne.com).  
(Monday through Friday, 8am-5pm EST)



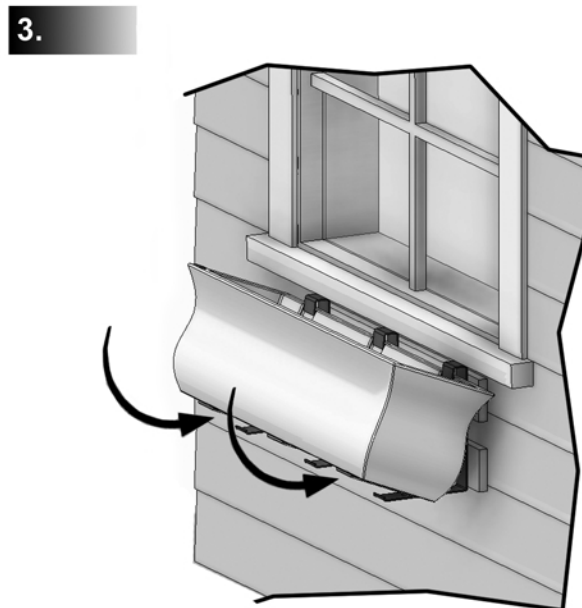
Secure the brackets to the wall using the 2 inch screws provided. Bracket spacing listed below. For installation on siding we recommend strapping for added strength (1x4 lumber is suitable). Fasten the boards to the wall studs and then attach the wall mount brackets to the boards as shown above.

**Bracket Spacing:**

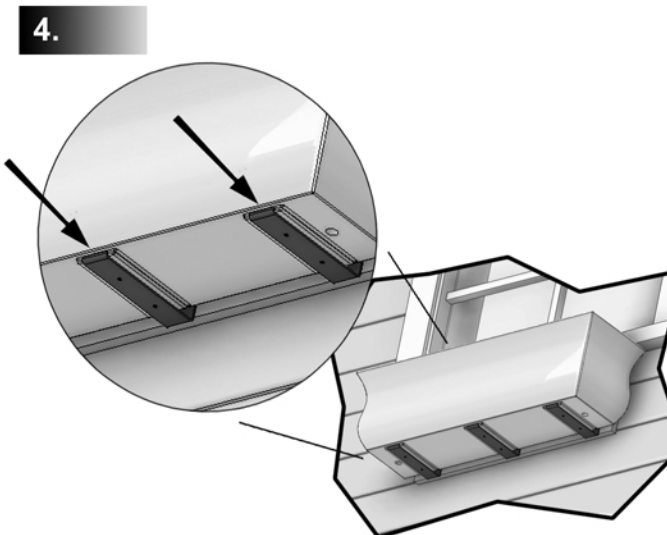
- 3FT Window Box - 3 brackets @ 12in spacing (on center)
- 4FT Window Box - 3 brackets @ 16in spacing (on center)



For installation on concrete or brick walls we recommend the use of a masonry fasteners. Mark the hole locations using the spacing listed in Step 1. Pre-drill the holes and secure the brackets with the fasteners (masonry fasteners not included).



Tip the planter box into the brackets as illustrated ensuring the lips of the brackets fit into the molded grooves.



The molded feet on the bottom of the planter should sit flush on the brackets. Ensure that the front edge of each footing is seated properly against the lip of the bracket. It may be necessary to gently bend the brackets upward to ensure a tighter fit.

## Planting Instructions

# MIS082

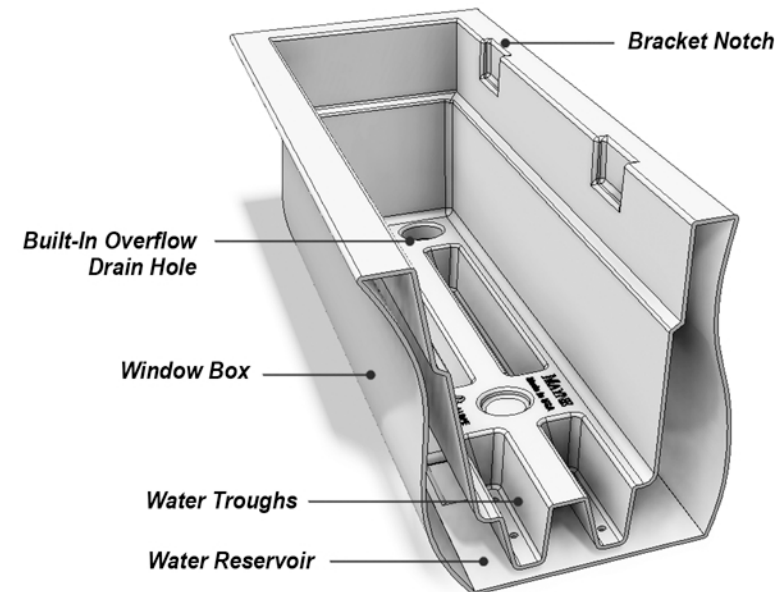
### General Planting Recommendations:

For the best results we recommend using a good quality potting mix. This will encourage faster root growth down into the troughs, and it will help decrease the overall weight of the planter making it easier to move around. Regular garden soil can become too compact and won't provide proper aeration or drainage.

### Sub-Irrigation System

The Valencia window box includes a trough design creating a sub-irrigation water reservoir at the bottom of the planter. Once the window box is planted, regular watering will naturally fill the reservoir. Once the reservoir is full, capillary action allows water to soak upward keeping the potting mix and plant roots moist. To avoid oversaturation, built in overflow holes are molded into the floor of the soil basin.

Regular watering is required for the first few weeks giving the root system time to develop. Once the roots have grown down into the troughs the plants will be able to pull moisture from the reservoir creating a self watering effect. This system will help maintain moisture in the potting mix for a longer period of time compared to traditional container planters. Please note that even with the reservoir and self watering effect, occasional watering is still needed.



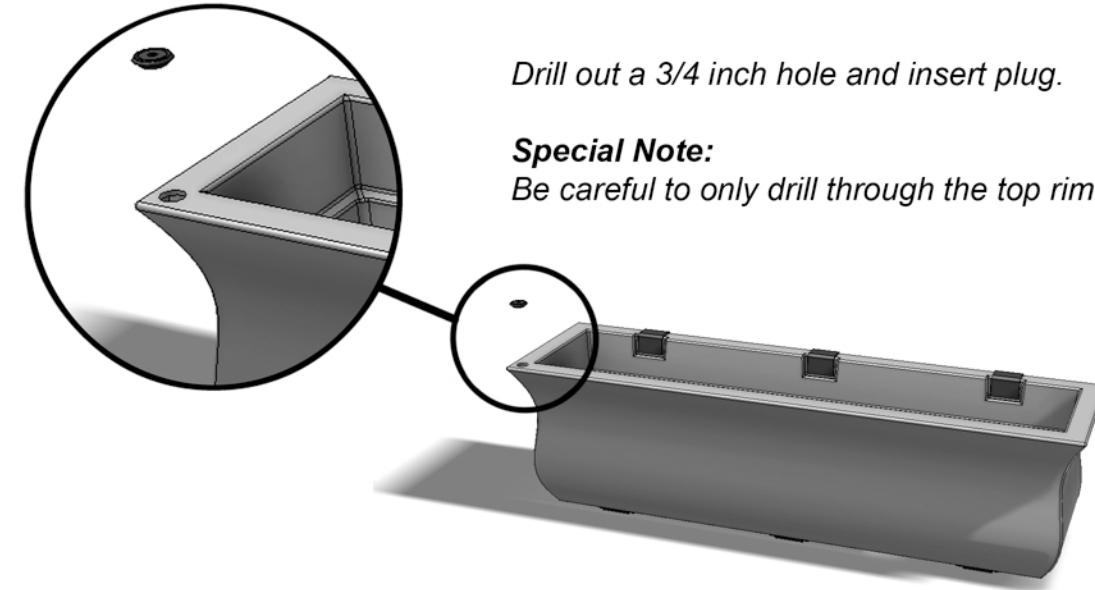
**NOTE:** Results may vary depending on the type of plant and depth of the root system. The above information is only suggested and Mayne holds no liability for the condition or growth of your plants.

## Optional Fill Port/Drainage Hole Instructions

### Plug Installation:

Mayne planters are molded with a double wall design that creates an internal water reservoir. To provide direct access to the reservoir we recommend drilling a 3/4 inch hole on the top rim of the planter. To cover the hole we have included a rubber plug that can be easily removed to fill or drain the planter as needed.

**Note:** The rubber plug is provided as an added feature so the following steps are optional. Not intended for use on the bottom of the planter as the plug may not create a water tight seal.



Drill out a 3/4 inch hole and insert plug.

#### Special Note:

Be careful to only drill through the top rim.