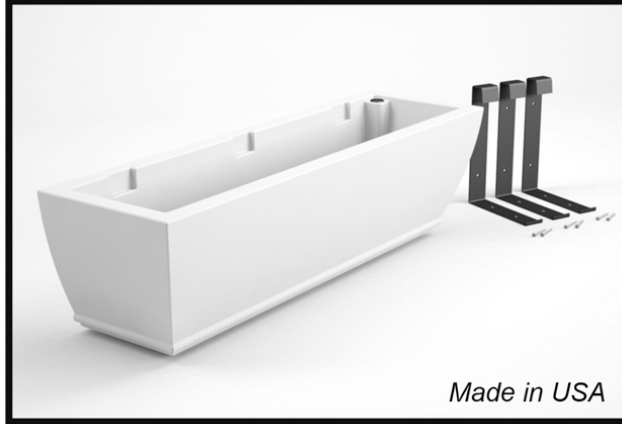


# Acadia Window Box Instructions Model # 5917

# MIS117



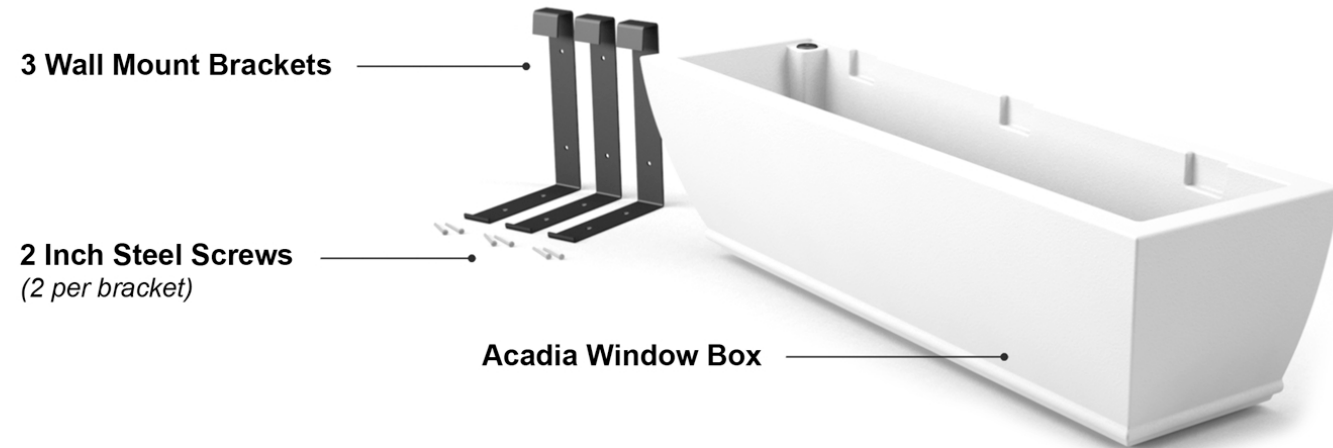
Made in USA

**PACKAGE CONTENTS:** Acadia Window Box, 3 steel wall mount brackets and 2 inch screws (2 screws per wall mount bracket)

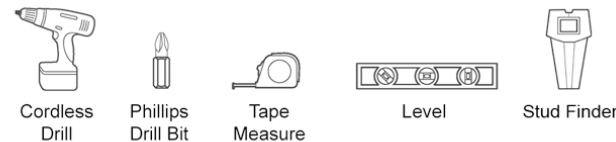
**DIMENSIONS:** 10.7"D x 10.1"H x 36"L

**IMPORTANT NOTE:**

Do not overload the patio planters. Lightweight fillers and potting mixes are recommended.



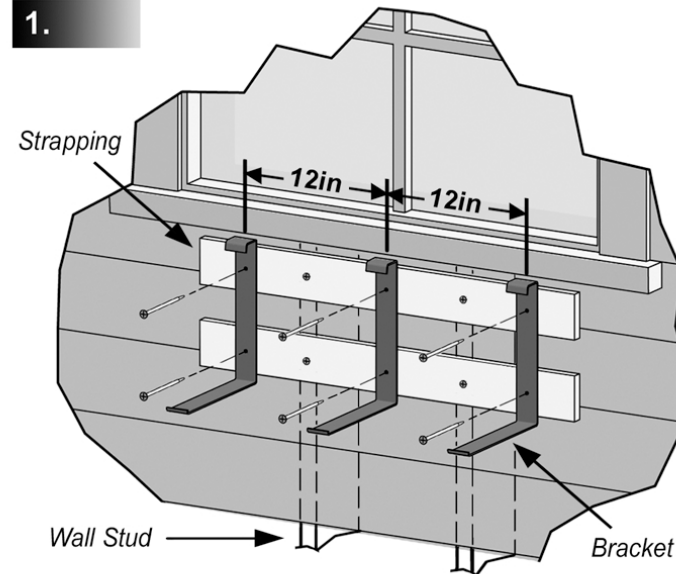
**Tools Required:**



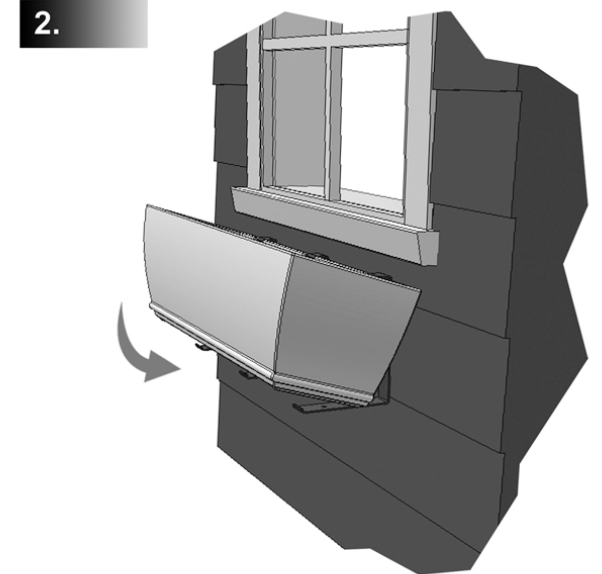
**General Information:**

- Read instructions carefully before beginning assembly.
- The Acadia Window Box is suitable for flowers, herbs, vegetables, and small plants.
- To clean the product use standard house hold cleaners, for best results use a power washer.
- The molded polyethylene construction is designed to withstand cold temperatures but you may wish to winter store the planter in a shed or garage to offer the best protection from extreme cold.
- Wall mount brackets include screws for general mounting applications; however when installing on brick and concrete, masonry screws or anchors are required.

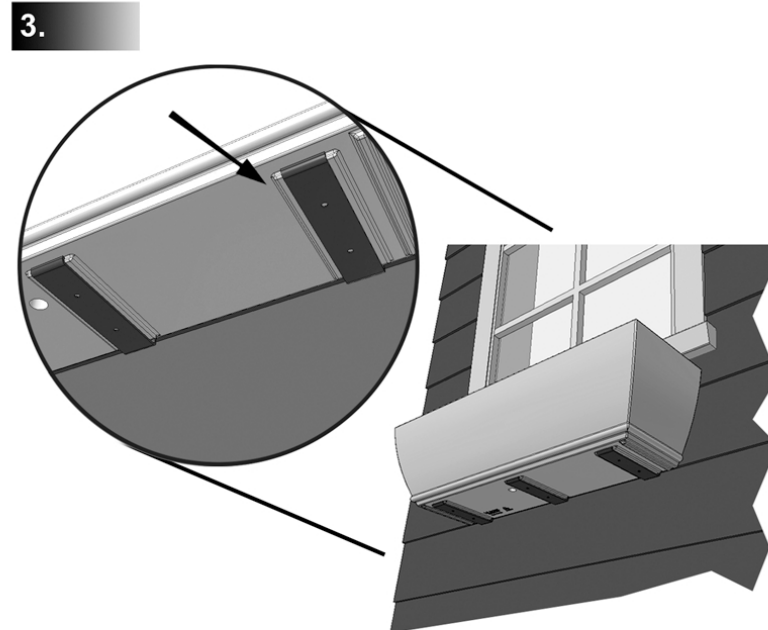
Missing or defective parts? Call our customer service department toll free at 866-363-8834 or email [customerservice@gomayne.com](mailto:customerservice@gomayne.com). (Monday through Friday, 8am-5pm EST)



Secure the brackets to the wall using the screws provided. Ensure the spacing for each bracket is 12 inches center to center. For installation on siding we recommend the use of strapping (1"x4" Pressure Treated Lumber or composite board). Using a stud finder, secure the strapping into the wall studs, then attach the wall mount brackets directly to the strapping. For brick or concrete walls, masonry screws are required (available at your local hardware store).



Tip the window box into the brackets as illustrated ensuring the lips of the brackets fit into the molded grooves.



The molded feet on the bottom of the window box should sit flush on the brackets. Ensure that the front edge of each footing is seated properly against the lip on the bracket. It may be necessary to bend the bracket upward slightly to create a tighter fit.

\* Decorative brackets are unavailable for this model

## Planting Instructions

# MIS117

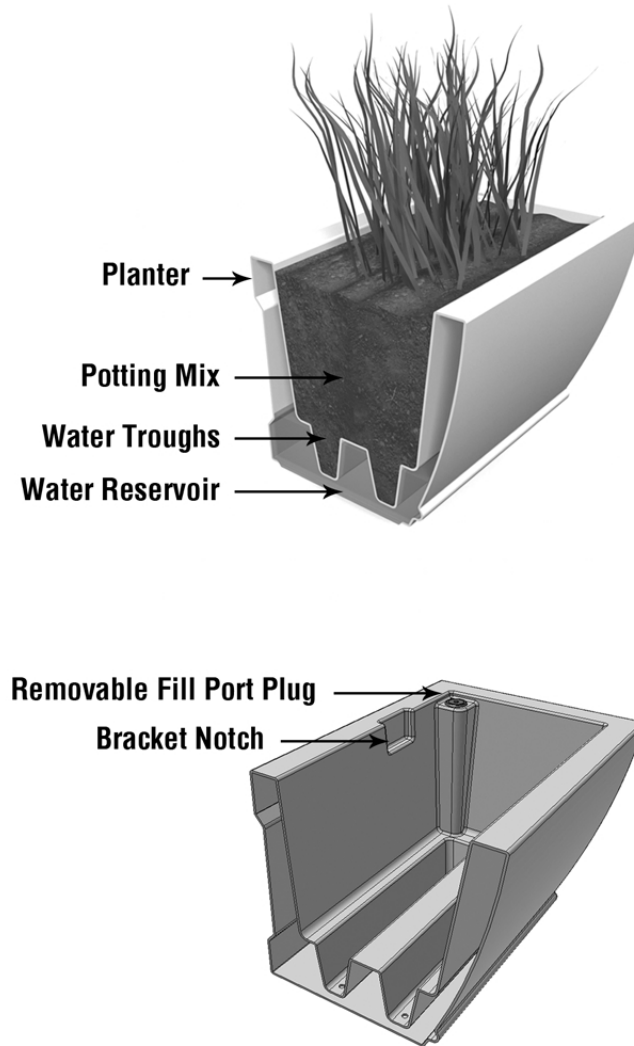
### General Planting Recommendations:

To maximize the efficiency of the sub-irrigation system we recommend the following steps:

- 1) Start by adding a few inches of lightweight filler to the bottom of the planter. This is optional but offers 3 benefits: it reduces the amount of potting mix required, it encourages faster root growth down into the troughs, and it will help decrease the overall weight of the planter making it easier to move around. Some suggestions for lightweight fillers include mulch, wood chips, or foam packing peanuts (don't use foam packing peanuts if you are growing edible plants).
- 2) Fill the planter with a potting mix to within a few inches of the top. Regular garden soil is not recommended since it compacts too easy and doesn't allow for proper aeration or drainage.
- 3) Start planting and enjoy!

### Sub-Irrigation System

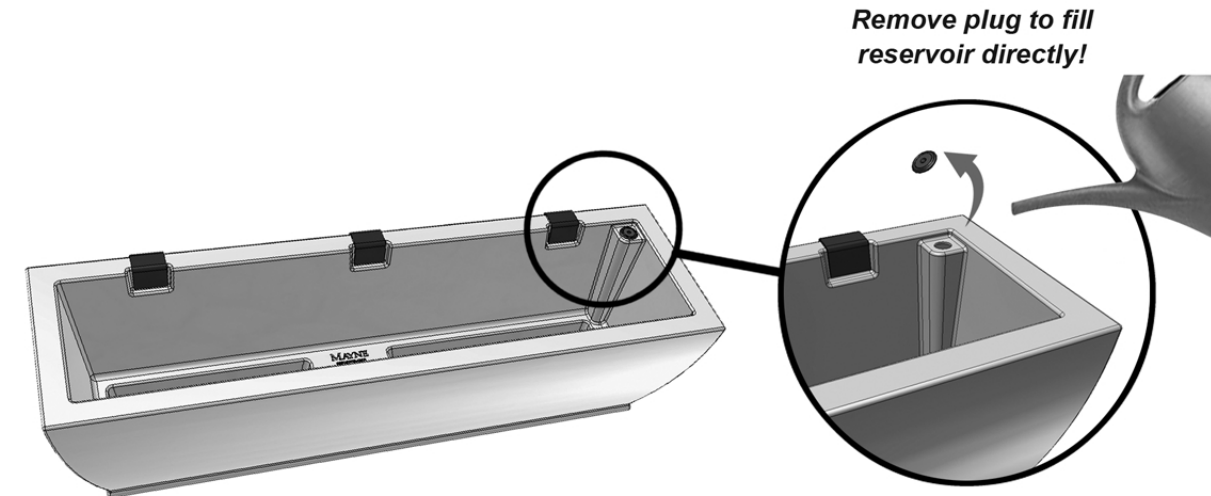
The Acadia planter collection features a double wall design that creates a trough system and sub-irrigation water reservoir at the bottom of the planter. Capillary action allows water in the reservoir to soak upward keeping the soil and plant roots moist creating a self-watering effect. Regular watering is required for the first few weeks giving the root system time to develop. Once the roots have grown down into the troughs the plants will be able to pull moisture from the reservoir creating a self watering effect. With this system you will find the potting mix stays moist longer than traditional container planters. Please note that even with the reservoir and self watering effect, occasional watering is still needed. To avoid oversaturation an overflow hole is molded through the floor of the planter allowing excess water to drain out the bottom.



**NOTE:** Results may vary depending on the type of plant and depth of the root system. The above information is only suggested and Mayne holds no liability for the condition or growth of your plants.

## Fill Port Instructions

Mayne planters are molded with a double wall design that creates an internal water reservoir. The Acadia Window Boxes have a pre-drilled plug that gives you direct access to the reservoir. To cover the hole, we have included a rubber plug that can be easily removed to fill or drain the planter as needed.



**MAYNE**<sup>®</sup>  
Outdoor Products of Distinction  
[gomayne.com](http://gomayne.com)