

Yorkshire

Model # 4821

Yorkshire Corbels 2pk



DESCRIPTION

Complete the look of your window box with a pair of decorative supports. The curved brackets are the perfect finishing touch to your installation.

- Made from 100% high-grade polyethylene
- Designed specifically for Yorkshire window boxes
- Brackets attach easily to the existing wall mount brackets
- Weather resistant, low maintenance material
- Warranty: 15-Yr Residential Use / 5-Yr Commercial Use

PRODUCT DIMENSIONS

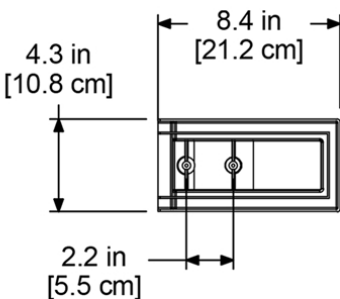
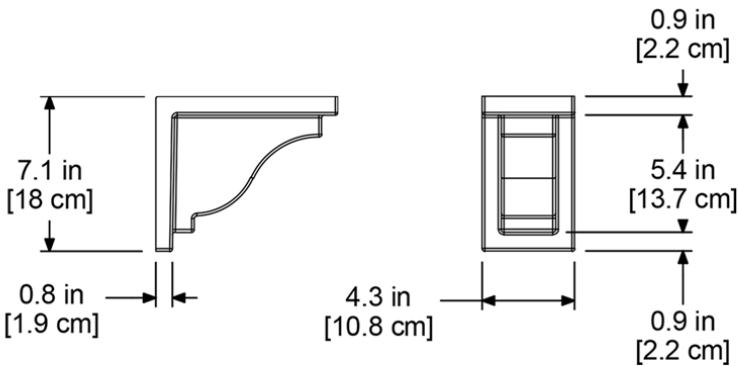
Outside Dimensions: 8.4in L x 4.3in W x 7.1in H (21.2cm x 10.8cm x 18cm)

Wall Thickness: 0.1in (2.5mm)

Part Weight: 2lbs (0.9kg)

Material: PVC

Contents: 2 decorative corbels and 4 mounting screws



MAYNE[®]
Outdoor Products of Distinction

7024 Kilbourne Rd - Unit A
London, ON N6P 1K6
866-363-8834 | gomayne.com
customerservice@gomayne.com