

Yorkshire

Model # 4826

Yorkshire 6ft Window Box



DESCRIPTION

The Yorkshire window box helps you bring home the charm of the East Coast while offering a low maintenance solution. Compliment the appearance of your home with a product that cleans up with the simple rinse of a garden hose.

- Features a double wall design creating a water reservoir
- 100% high-grade vinyl with built in UV inhibitors
- Ready-to-assemble kit requires minor assembly
- Weather resistant, low maintenance vinyl
- Includes 5 wall mount brackets with a black powder coated finish
- Warranty: 15-Yr Residential Use / 5-Yr Commercial Use

PRODUCT DIMENSIONS

Outside Dimensions: 72in L x 12.1in W x 10.2in H (182.9cm x 30.7cm x 25.9cm)

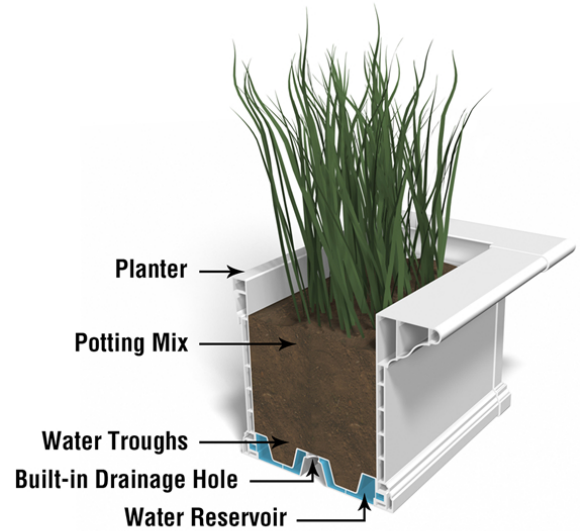
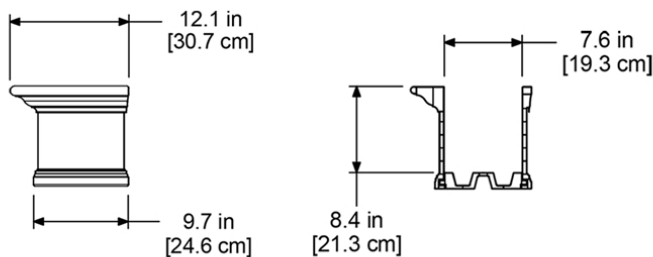
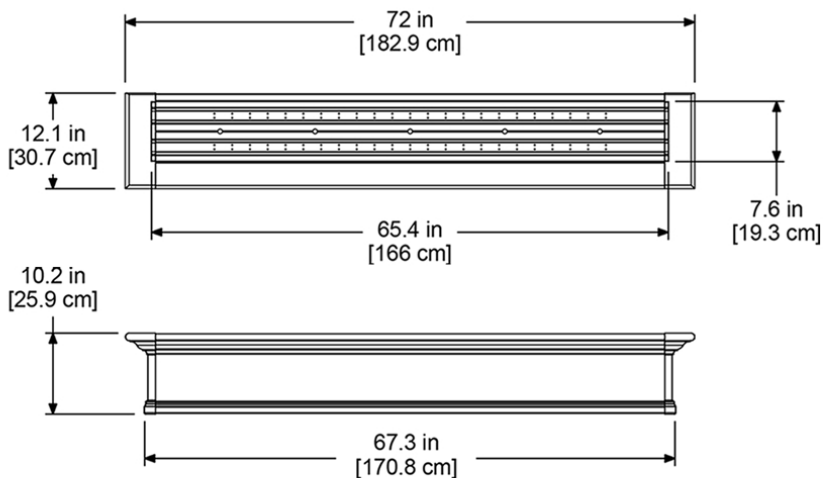
Inside Dimensions: 65.4in L x 7.6in W x 8.4in D (166cm x 19.3cm x 21.3cm)

Soil Capacity: 18 Gallons (68.1 Liters)

Water Reservoir Capacity: 1.5 Gallons (5.6 Liters)

Part Weight: 33lbs (15kg)

Material: PVC



MAYNE[®]
Outdoor Products of Distinction

7024 Kilbourne Rd - Unit A London, ON N6P 1K6

Tel: 866-363-8834 | www.gomayne.com

customerservice@gomayne.com