

Georgian

Model # 5882

Georgian 28in Tall Planter



DESCRIPTION

The Georgian Tall Planter offers up the right balance of style and durability that you should expect from a high-quality polyethylene product. The compact size is perfect for flanking entrances and garage doors.

- Double wall design with water reservoir feature
- Manually fill up the self-watering reservoir directly
- Weather resistant, low maintenance material
- 100% high-grade polyethylene planter with UV inhibitors
- Warranty: 15-Yr Residential Use / 5-Yr Commercial Use

PRODUCT DIMENSIONS

Outside Dimensions: 15.9in L x 15.9in W x 28in H (40.5cm x 40.5cm x 71.1cm)

Inside Dimensions: 12in L x 12in W x 12.3in D (30.6cm x 30.6cm x 31.3cm)

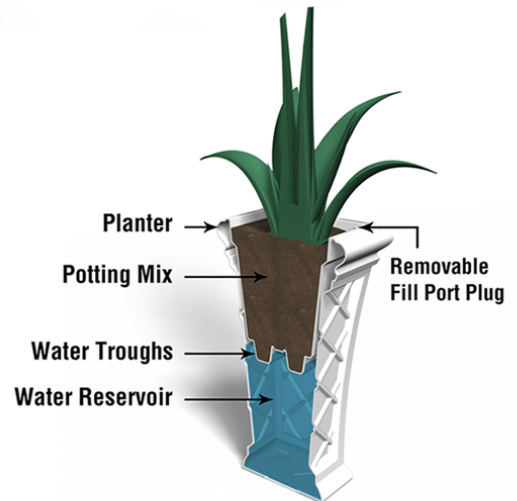
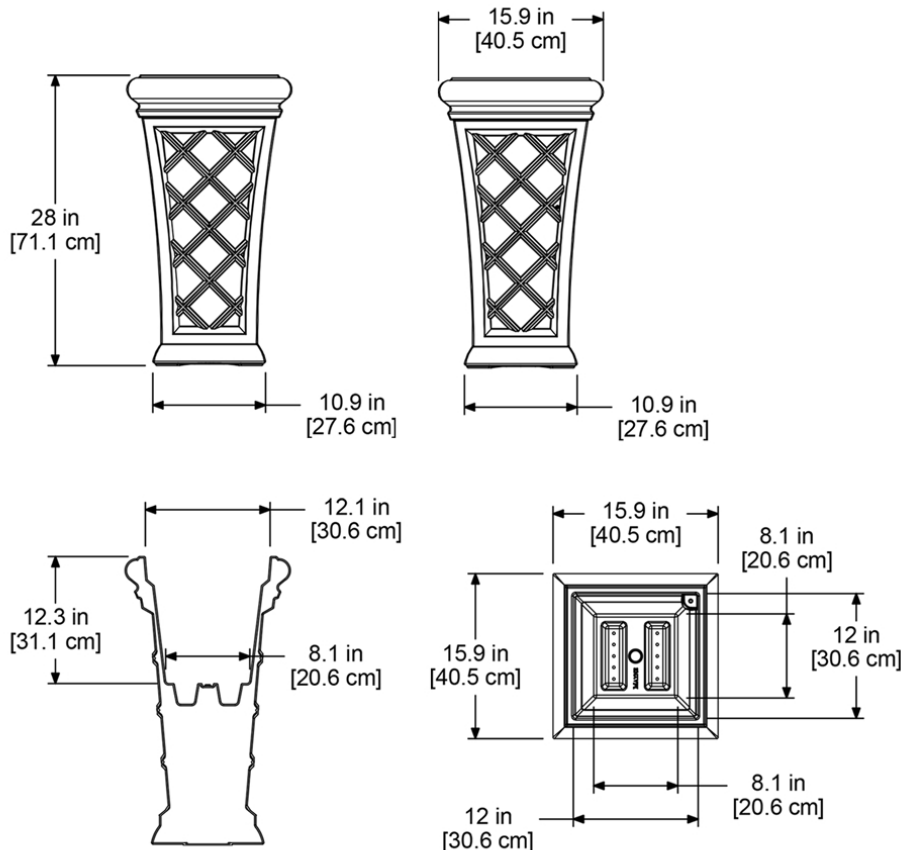
Soil Capacity: 3.2 Gallons (12 Liters)

Water Reservoir Capacity: 5.2 Gallons (19.7 Liters)

Wall Thickness: 0.12in (3mm)

Part Weight: 9.1lbs (4.1kg)

Material: Polyethylene



MAYNE[®]
Outdoor Products of Distinction

7024 Kilbourne Rd - Unit A London, ON N6P 1K6

Tel: 866-363-8834 | www.gomayne.com

customerservice@gomayne.com