

Fairfield

Model # 8874

Fairfield 40in Tall Waste Bin



DESCRIPTION

The beautifully detailed Fairfield Waste Receptacle offers the perfect blend of function and form. With a removable lid and insert liner, this durable waste solution is not only practical, but it also adds a rich architectural element to your decor.

- Textured finish for increased durability
- Removable liner and lid included
- Weather resistant, low maintenance material
- Molded from 100% polyethylene with UV inhibitors
- Warranty: 15-Yr Residential Use / 5-Yr Commercial Use

PRODUCT DIMENSIONS

Outside Dimensions: 22in L x 22in W x 40in H (55.9cm x 55.9cm x 101.6cm)

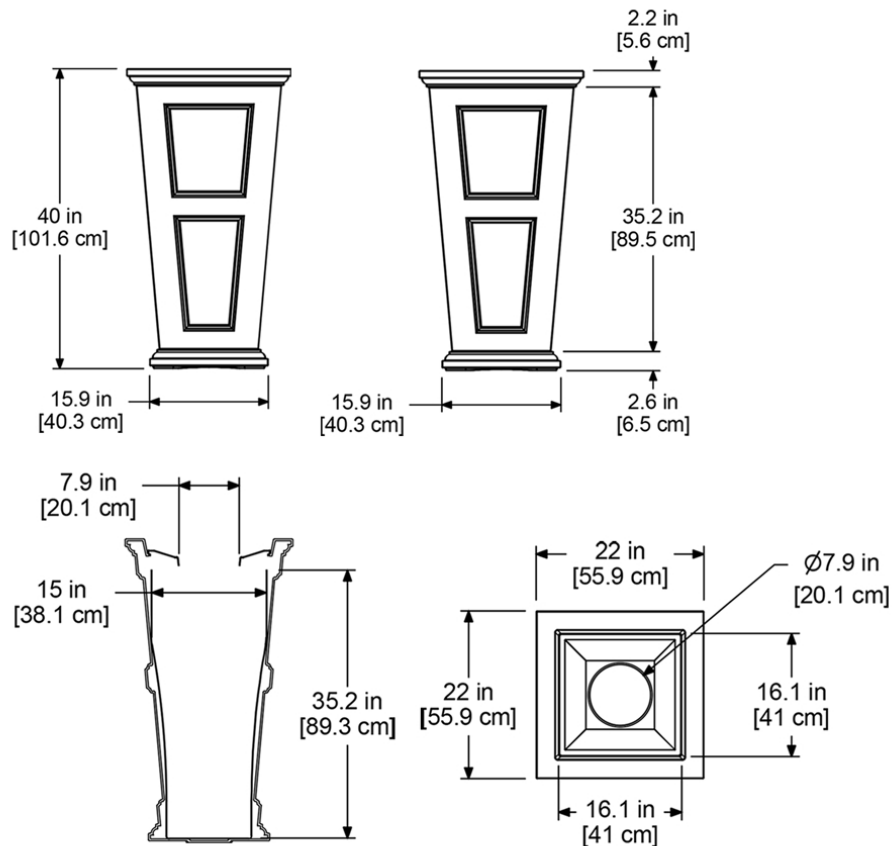
Liner Dimensions: 15in L x 15in W x 35.2in H (38.1cm x 38.1cm x 89.3cm)

Waste Disposal Opening: 7.9in DIA (20.1cm)

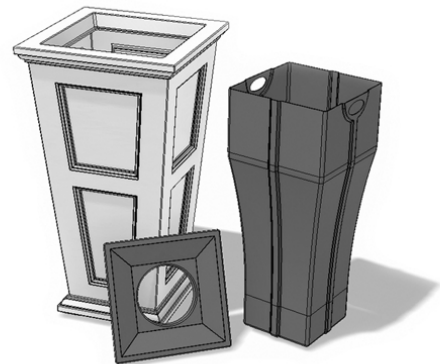
Storage Capacity: 24 Gallons (90.8 Liters)

Part Weight: 39lbs (17.7kg)

Material: Polyethylene



Fairfield Components Topper, Base & Liner



MAYNE[®]
Outdoor Products of Distinction

7024 Kilbourne Rd - Unit A
London, ON N6P 1K6
866-363-8834 | gomayne.com
customerservice@gomayne.com