

Fairfield Waste Bin Instructions Model # 8874

MIS062 r4



PACKAGE CONTENTS:

1x Fairfield Bin, 1x Liner, 1x Lid, 1x Trash decal

MATERIAL: Polyethylene

CAPACITY: 24 Gallons

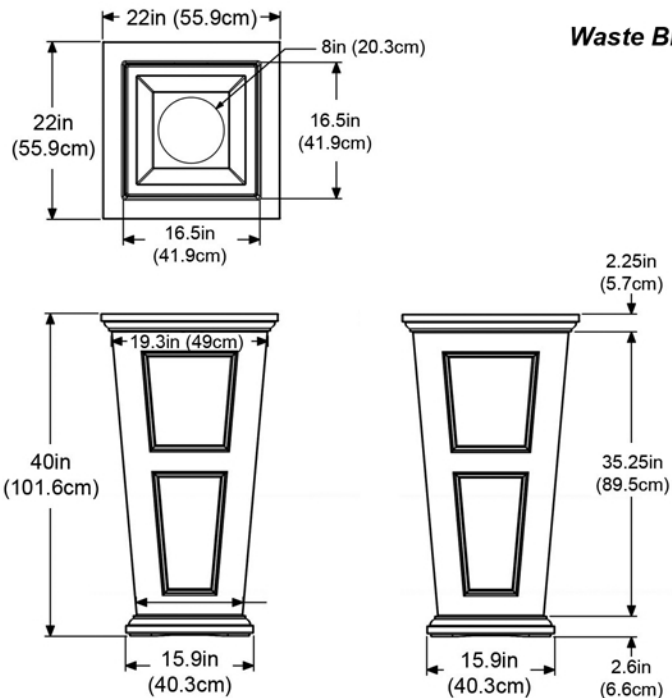
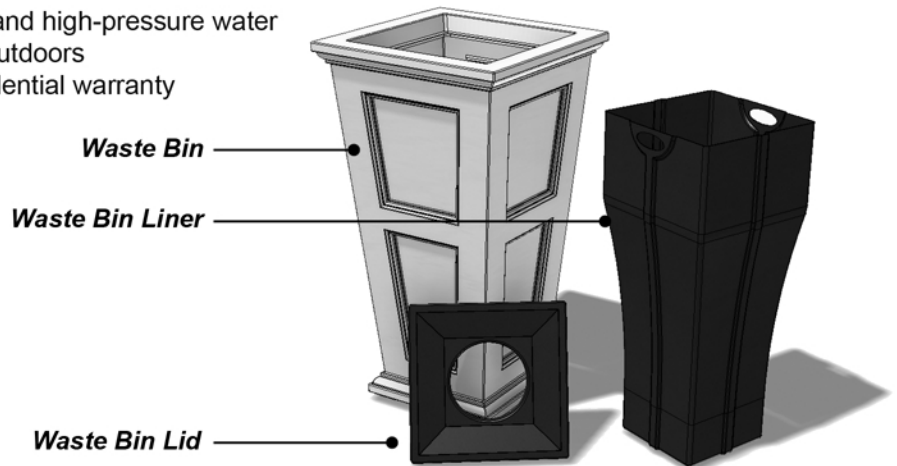
IMPORTANT NOTE:

- All weather construction designed for indoor or outdoor use.
- Includes removable lid and liner. Waste bags not included.

In the event of missing or defective parts, please email customerservice@gomayne.com or call our customer service department toll free at **866-363-8834** (available Monday through Friday, 8am-5pm EST).

General Information:

- Molded polyethylene waste bin and liner
- To clean the product use a soap solution and high-pressure water
- Designed for all weather use, indoors or outdoors
- 5-year commercial warranty, 15-year residential warranty



Fairfield Waste Bin
24 Gallon Capacity

- Optional Trash Decal**
1. Peel off backing
 2. Center decal on lid and press down firmly on the transfer tape.
 3. Slowly peel back the transfer tape at an angle.

MAYNE[®]
Outdoor Products of Distinction
gomayne.com | maynecontract.com